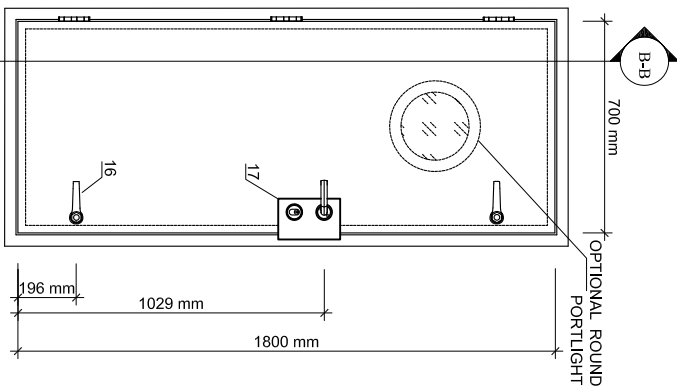
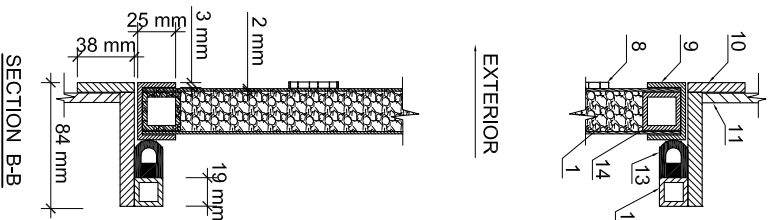


TUG DOORS FRONTAL VIEW  
( 600 mm x 1800 mm CLEAR OPENING )



BARGE DOORS FRONTAL VIEW  
( 700 mm x 1800 mm CLEAR OPENING )



ITEM No.	QTY.	DESCRIPTION	MATERIAL
17	2	TRIPPING LATCH LOCK	STAINLESS STEEL
16	2	LOCK DOWN DOGS	ALUMINUM
15	-	DOW CORNING # 795, BLACK	SILICONE SEALANT
14	-	SCR. TUBE 25 mm x 25 mm x 3 mm	ALUMINUM ALLOY 6063-T4
13	-	GASKET	EPDM SPONGE
12	-	19 mm x 19 mm x 3 mm JAMB-UNIT	ALUMINUM ALLOY 6063-T4
11	-	BULKHEAD	STEEL
10	-	FRAME	STEEL
9	-	CHANNEL 38 mm x 25 mm x 3 mm	ALUMINUM ALLOY 6063-T4
8	3	HINGES TYPE BOOK	STAINLESS STEEL
7	-	2 mm SMOOTH PLATE	ALUMINUM ALLOY 6063-T4
6	-	MOUNTING FLANGE	ALUMINUM ALLOY 6063-T4
5	-	GASKET	URETANE SEALS
4	-	10 mm SINGLE GLASS	TEMPERED GLASS
3	-	FLAT HD. SCREW 6 mm-20 x41 mm W/(1) LOCK NUT	STAINLESS STEEL
2	-	TWING RING L 25 mm x 25 mm x 3 mm	ALUMINUM ALLOY 6063-T4
1	-	INSULATION	FOAM

**CUSTOMER APPROVAL**

COMPANY: \_\_\_\_\_

CHARGE: \_\_\_\_\_

SIGNATURE: \_\_\_\_\_ DATE: \_\_\_\_\_

THIS DRAWING SUPERSEDES ALL DOCUMENTS.

By signing this approval you accept and agree that the dimensions and details shown are correct and properly fit your application, regardless of any differences between this drawing and contract specifications.

**USA MARINE WINDOWS MFG. INC.**

www.usamarinewindows.com

WEATHERTIGHT DOOR

ESTALEIRO RIO TETE PROJETO TRANSPETRO

PROJETO: F.A.R.  
PROJETADE: N.T.S.  
DATA: 02/15/12  
PROJETO Nº: 14-58V-03 1/22